

CERTIFICATE OF LOCATION OF GOVERNMENT CORNER

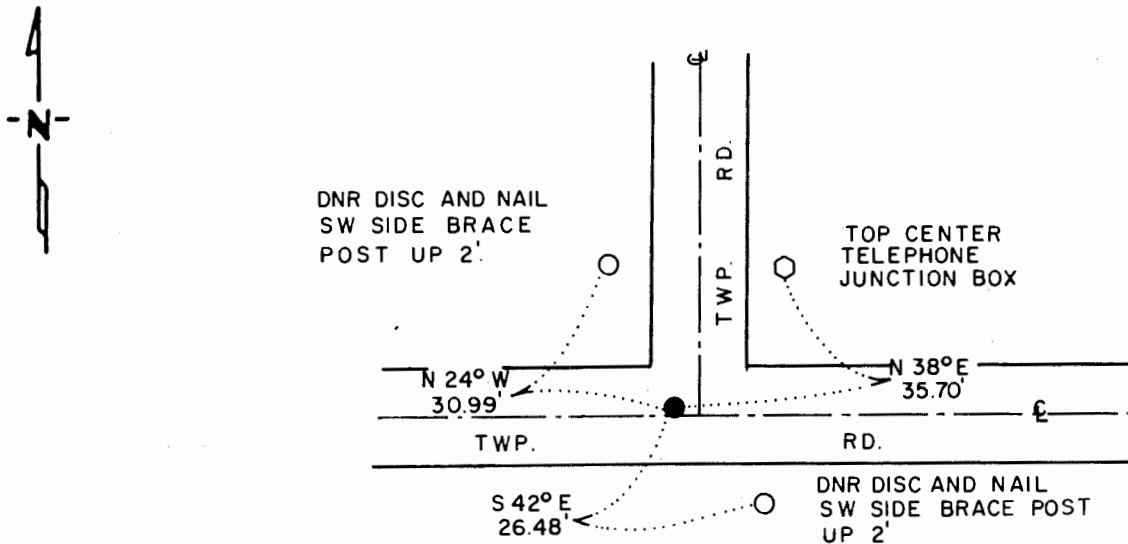
NORTH QUARTER Corner of Section 7, Township 108 N., Range 43 W., 5th P.M.

STATE OF MINNESOTA, County of MURRAY

At the corner location shown on the sketch:

- On 7-6-82 found a 3"x3"x4" FIELD STONE, DOWN 24", WITH DETERIORATED
DATE
WOOD HUB ON TOP
- left monument as found, lowered monument, removed monument (explain)
- On 7-6-82 placed a 1 1/4"x1 1/4"x20" PERFORATED STEEL TUBE WITH
DATE
ALUMINUM CAP STAMPED "DNR SURVEY MARKER", DOWN 0.5'

SKETCH OF REFERENCE TIES



NOTE: MONUMENT IS
 1' N $\&$ E-W RD
 3' W $\&$ RD. N.

TIES TAKEN 8-5-86
 BEARINGS OBSERVED WITH COMPASS

Statement of evidence relative to this corner location is on back of page.

J.A.G. 8-19-86
 FILE G-202

I hereby certify that this document and the data contained herein was prepared by me or under my direct supervision.

Lowell B. Pomeroy 9-10-86
SIGNATURE DATE

Registration No. 17005

- Land Surveyor, Professional Engineer
- County Surveyor, County Engineer

OFFICE OF THE COUNTY RECORDER

County of _____

I hereby certify that this document was filed in the Co. Recorders office at _____ .M. on the _____ day of _____ A.D., 19 _____

County Recorder _____

By _____, Deputy

DOCUMENT NO. _____

North Quarter Corner Section 7, Township 108 North, Range 43 West

This corner was originally established by the U. S. General Land Office survey in 1866. The government notes show corner marked with a wood post set in mound of earth with pits and trench dug around the mound.

In June 1982, the DNR Bureau of Engineering contacted the following for corner information:

Murray County Offices of the Recorder and Highway Engineer
Pipestone County Office of the Recorder

The following information was obtained from the Murray County Highway Engineer's Office:

Surveyor's Record Book contains a survey of Section 7, by J. W. Woolstencroft, County Surveyor, date not indicated. Survey shows this corner measures:

2514 ft. from the northwest corner Section 7

2646.2 ft. from the northeast corner Section 7

No mention is made as to what was found or set at the corner.

On July 6, 1982, the DNR Bureau of Engineering hired a backhoe operated by Buffalo Ridge Plumbing and Heating of Ruthton to dig for evidence of this corner. Dug a 2 ft. north-south by 8 ft. east-west hole, the center being at the intersection of roads east-west and north. Found a 3" by 3" by 4" field stone down 24" at natural ground, with a well deteriorated wood hub on top. Left stone as found and measured:

2522.68 ft. from the northwest corner Section 7

2642.26 ft. from the northeast corner Section 7

Stone is 1 ft. north and 3 ft. west of intersection of above mentioned roads.

Accept the found stone as the location of the corner.

Traverse information is available from the DNR Bureau of Engineering.

On August 5, 1986 revisited the corner and found the DNR Survey Marker as previously set in good condition and took ties as shown.

S141